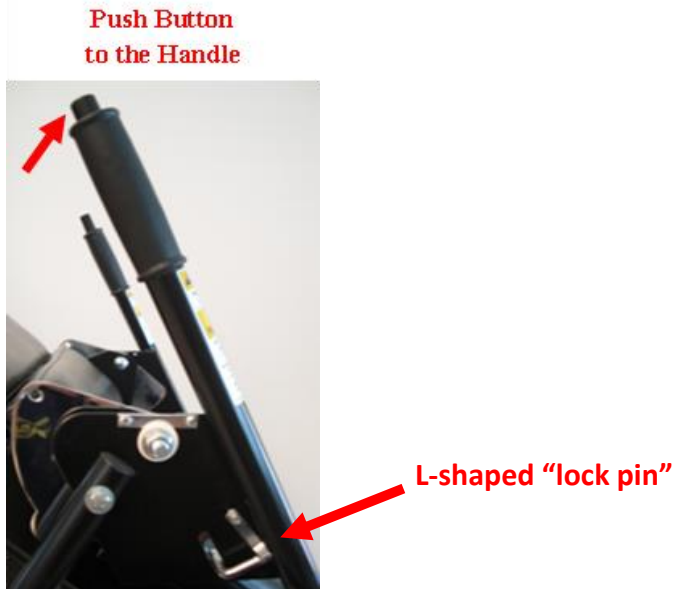


“Trouble shooting” when the Push Button on the Handle doesn’t work:

- 1) Check the “Push Button” – make sure it is “screwed on” ...
Making sure it’s not been “unscrewed” and thus loosened the “internal” = the bent/L-shaped “lock pin”.



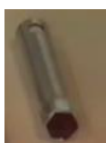
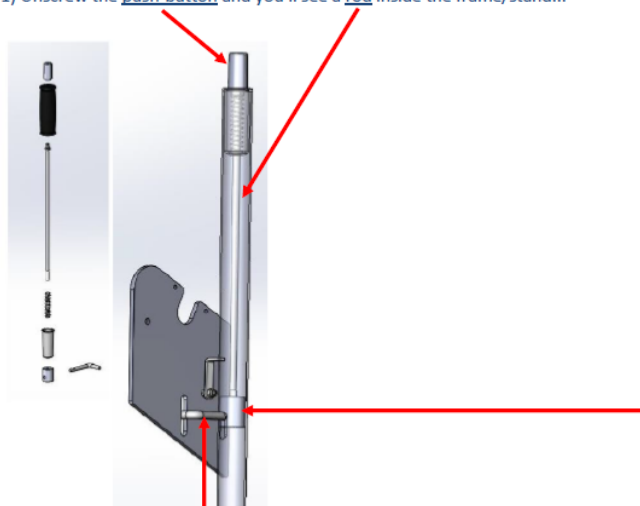
If that does not solve the problem – try to realign the lock pin:

- 2)

How to exchange and/or re-align the lock pin:

See attached PDF – drawing of handle/frame with push-button and lock pin...

- 1) Unscrew the push-button and you’ll see a rod inside the frame/stand...



- 2) This rod must be unscrewed/loosened a little in order to be able to reach the lock pin... */
NOTE! It must NOT be unscrewed completely – to avoid the “clutch” from falling off...
- 3) When released/loosened – realign the lock pin
OR replace the lock pin with the new = turning the “groove” upwards.
- 4) Screw back/Fasten/tighten the rod and screw back the push-button.

*/ In order to be able to unscrew the rod – you need a special tool – a socket wrench – which came with the Mastercare unit when purchased...
And a screwdriver which you traverse through the holes in the upper end for easier screwing.

If any of these doesn’t solve the issue... please, contact: office[at]mastercare.se